

4 Le Pas du Château  
85670 SAINT PAUL MONT PENIT  
TEL : +33 (0)2 51 98 55 64  
FAX : +33 (0)2 51 98 59 07  
Email : [info@medicatlantic.fr](mailto:info@medicatlantic.fr)  
Site Internet : <http://www.winncare.fr>

## INSTRUCTION MANUAL

### CONFORLENCE BED TABLE T168-00/T169-00



#### SUMMARY

- ① TRANSPORT
- ② STORAGE
- ③ ASSEMBLY
- ④ USE
- ⑤ MAINTENANCE
- ⑥ DISPOSAL

**YOU MUST READ THIS BEFORE USING THE PRODUCT.  
COPY TO BE KEPT.**



## **WARNING**

*These instructions are part and parcel of the product, and they contain technical requirements which must not be reproduced fully or partially, or divulged or used without authorisation for competitive purposes, or given to third parties.*

*Although all the information contained in these instructions have been carefully checked and can be taken as reliable, **MEDICATLANTIC** assumes no responsibility for any errors, omissions or misprints.*

## **① TRANSPORT**

When transporting the table, it must be in a low position and packaged in cardboard. **IMPORTANT:** it is strictly forbidden to stack packages on the table.

## **② STORAGE**

The table must be stored away from the damp in a dry room at 10–35°C.

## **③ ASSEMBLY**

Non applicable

## **④ USE**

The table is designed for eating and reading at, in a chair or bed.

**THE LOAD ON ITS SURFACE SHOULD NEVER EXCEED 15kg.**

### **4.1 GENERAL DESCRIPTION**

The table is made up of a base on four wheels, two legs, a bracket, a large desktop with a book-rest, and a small desktop with a three-side rail.

### **4.2 USE**

The table should be used in accordance with the advice given in this document, and also making sure that no object gets in the way of its zone of movement.

To raise the table, lift the lever on the right-hand side or lift the tabletop, and adjust it to the desired height.

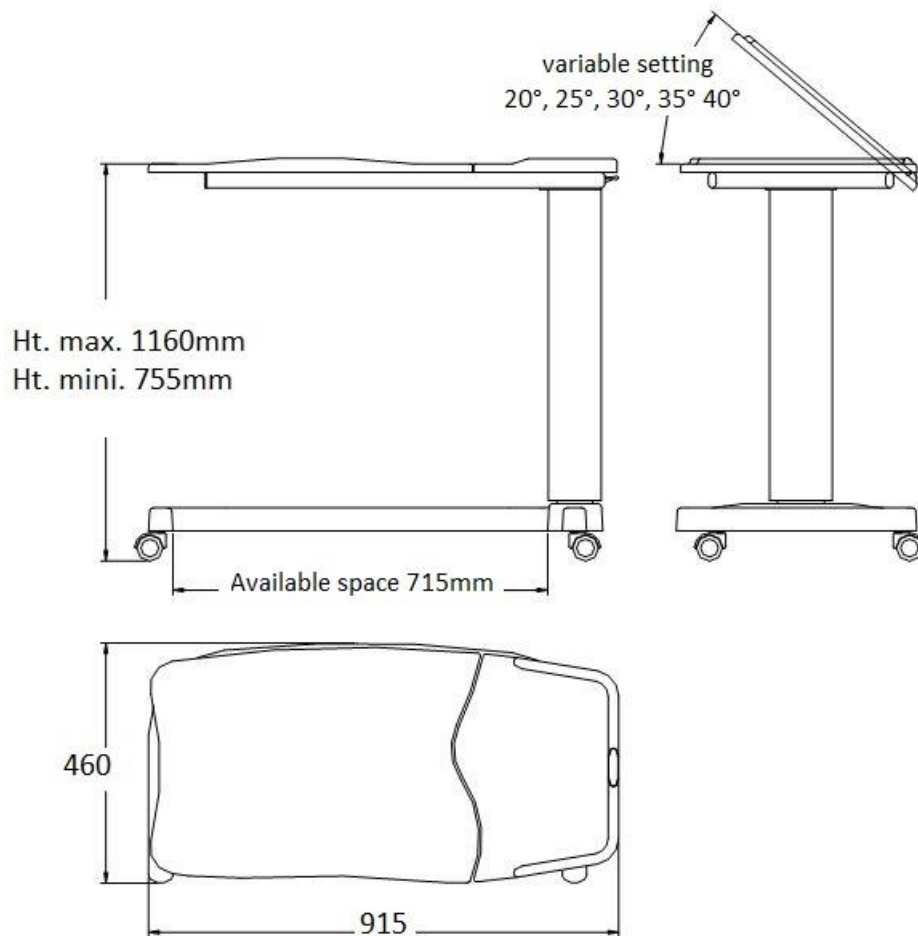
To lower the table, lift the lever on the right-hand side, and adjust it to the desired height.

To tilt the tabletop, use the other side of the book-rest until the desired angle is reached.

To lessen the angle of tilt, lift the tabletop right up and push it flat before pulling it back to the level desired.

### 4.3 TECHNICAL CHARACTERISTICS

#### 4.3.1 DIMENSIONS



#### 4.3.2 MECHANICAL CHARACTERISTICS

Normal working load: 5–10kg. Absolute maximum: 15kg.

Mass of the table: 16kg

### 4.4 PRECAUTIONS

Immediately wipe the surface if water gets on it, for example through a glass of liquid being spilt. Such water damage is not covered by warranty.

The table is not to be used on a slope steeper than 3°.

To change the angle of tilt of the tabletop, use the other side of the book-rest.

#### 4.4.1 IMPROPER USE

Important. There are various risks involved in improper use of the table, in particular:

Do not use the table for sitting on.

Do not use the table to lean on for your locomotion.

Do not let patients or other users use the functions of the table without explanation.

Do not let children use the functions and accessories.

Do not let children move the table.

Do not load the table more than 15kg.

Do not use the table outdoors.

Do not use on unstable or rough flooring.

Do not wash the table with large amounts of water, or with jets or hoses.

Do not use the table for purposes other than those for which it was designed.

## Ⓢ MAINTENANCE

### 5.1 TECHNICAL MAINTENANCE

- The table should be carefully examined at least once a year to check parts such as the wheels, or the height adjustment, and also to make sure the desktop is firmly attached.

### 5.2 CLEANING

- Clean the structure with soapy water and a soft cloth or sponge, then rinse and wipe.
- All harsh products such as detergents, powders, solvents and bleach are banned.

### 5.3 DISINFECTION

- Use a disinfectant which kills bacteria, fungi and viruses, either by spraying it evenly over the surfaces or by applying it with a single-use cloth, or by spraying a disinfectant aerosol from 30cm (1ft) away.
- Leave to dry, and isolate the disinfected equipment from other non-disinfected equipment using a film indicating the date of disinfection. (IF RENTED)

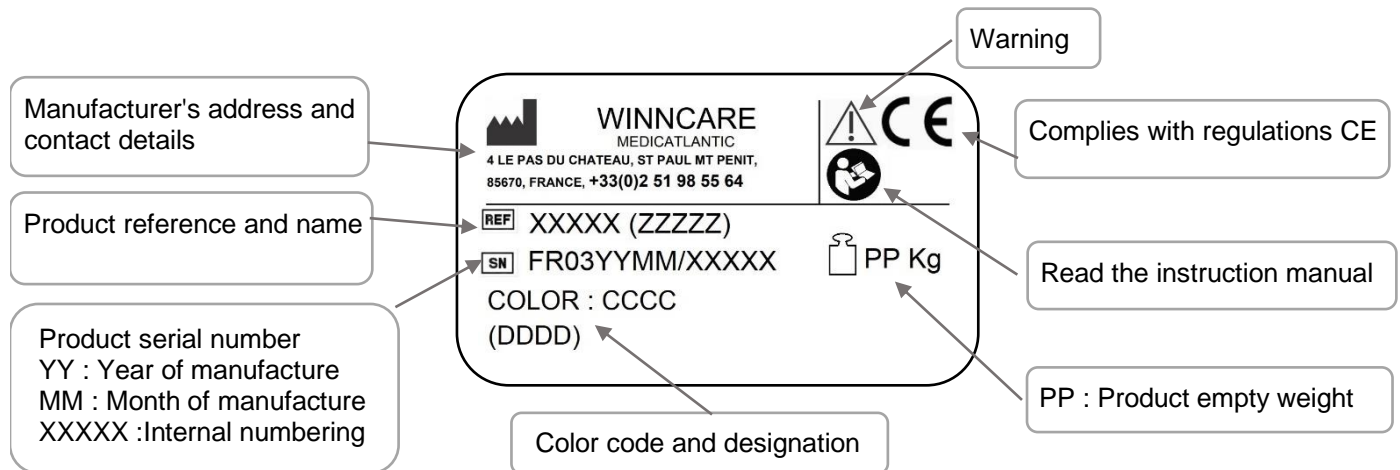
### **IMPORTANT:**

*Adhere to the usage precautions given on the disinfectant products.*

### 5.4 WARRANTY

The table is guaranteed for one year provided it is used for its intended purpose and the advice given here is followed.

### 5.5 IDENTIFICATION



## Ⓢ DISPOSAL

The product must be disposed of if essential requirements are not met, i.e. when the product no longer has its initial characteristics and has not been recalled. The types of products used to make the do not directly affect the environment; however, it is recommended you take steps to make the chair no longer useable for its intended purpose.